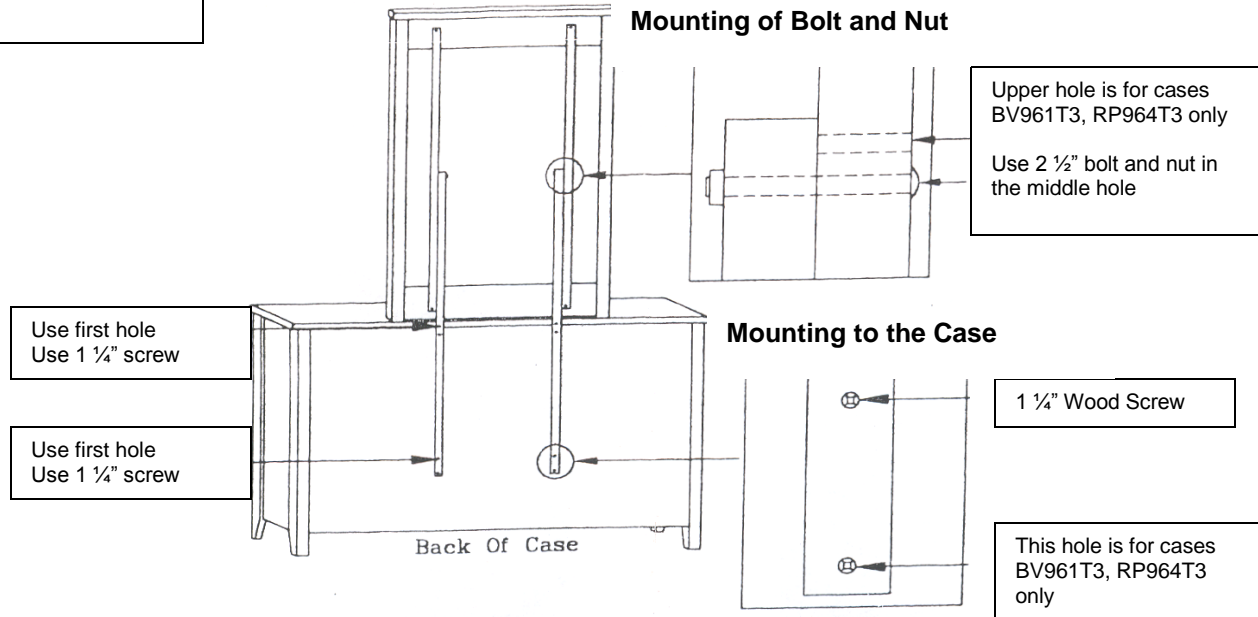


Mirror Support Diagram

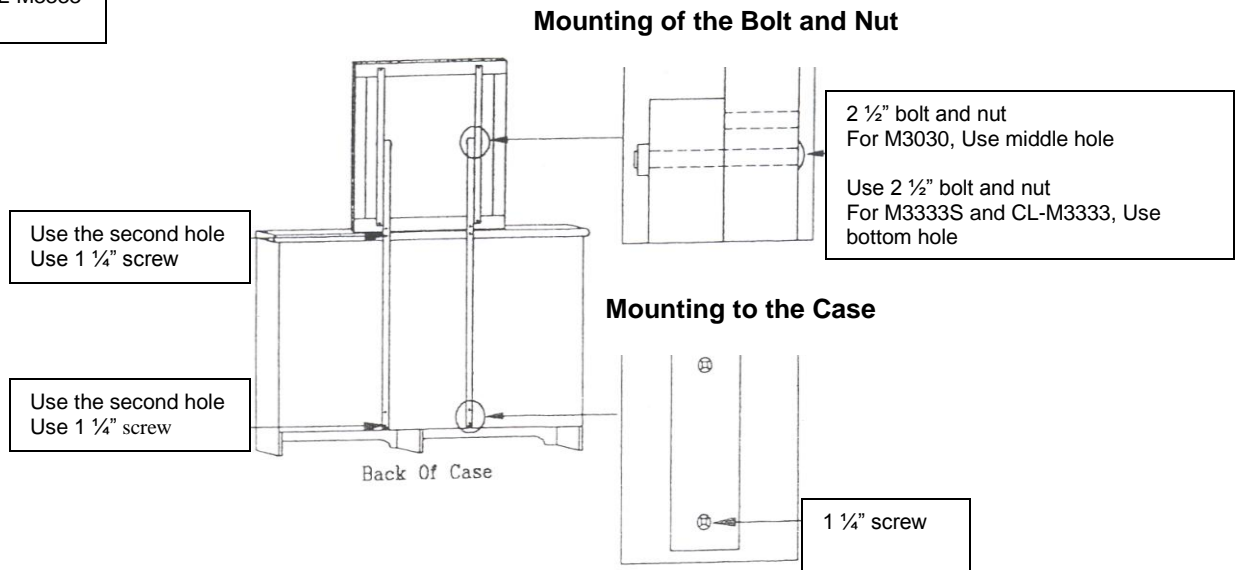
For Mirrors:

- M5743W
- M3143
- CG-M3146



For Mirrors

- M3030
- M3333S
- CL-M3333



Your Mirror Kit Should Include:

- | | |
|------------------|--------------------|
| Two 2 1/2" Bolts | Four 1 1/4" Screws |
| Two 7/16" Nuts | Two Mirror Sticks |

Additional Tools Required:

- 7/16" Wrench
Screwdriver