

EZ-LIFT ASSEMBLY INSTRUCTIONS

Note: If the height from the floor to the bottom of boxspring exceeds 11 1/2", the PLX-18 Power-Lift Extension Kit will be needed. These extension kits can be purchased from your local retailer.

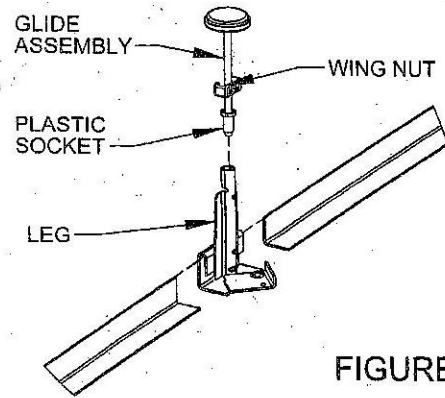


FIGURE 1

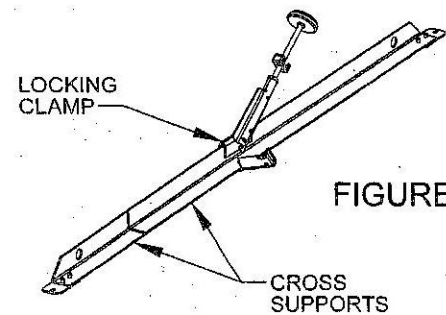


FIGURE 2

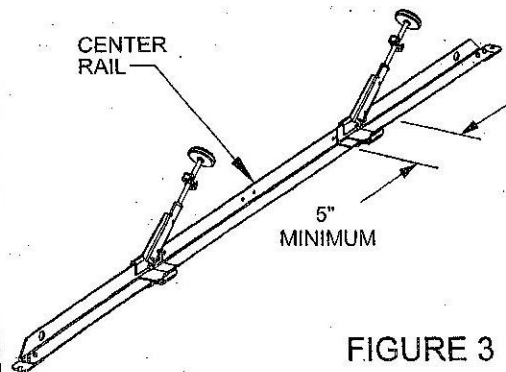


FIGURE 3

Step 1. Tap GLIDE ASSEMBLY into LEG until PLASTIC SOCKET is fully seated, or install PLX-18 Extension Kits if required. See Figure 1.

Step 2. For the EL1 and ELM1: Slide CROSS SUPPORTS through LOCKING CLAMP so they overlap. The LOCKING CLAMP should be centered on overlap. See Figure 2. For the EL2 and ELM2: The CENTER RAIL should be placed between the CROSS SUPPORTS and overlap on the outside of the CROSS SUPPORT. The LOCKING CLAMP should be attached as stated above. See Figure 3.

Note: There should be a minimum of 5" overlap on either model.

Step 3. Place assembled CROSS SUPPORT between SIDE RAILS as shown in Figure 4a. When more than one CROSS SUPPORT is used, spacing between CROSS SUPPORTS should be approximately 20"-28" as shown in Figure 4b.

Step 4. Adjust width to fit between SIDE RAILS and rotate LEG into vertical position to lock as shown.

Step 5. Secure CROSS SUPPORTS to SIDE RAILS as detailed in Figure 5.

Step 6. Lock legs in place by turning LOCKING PLATE so that it locks into the slot in the LEG, then secure with LOCKING PIN. See Figure 6.

Step 7. *Adjust glides to rest on the floor surface.* Lock glides by turning WING NUT tight against the PLASTIC SOCKET

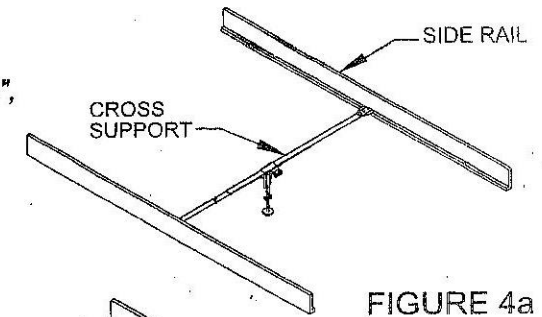


FIGURE 4a

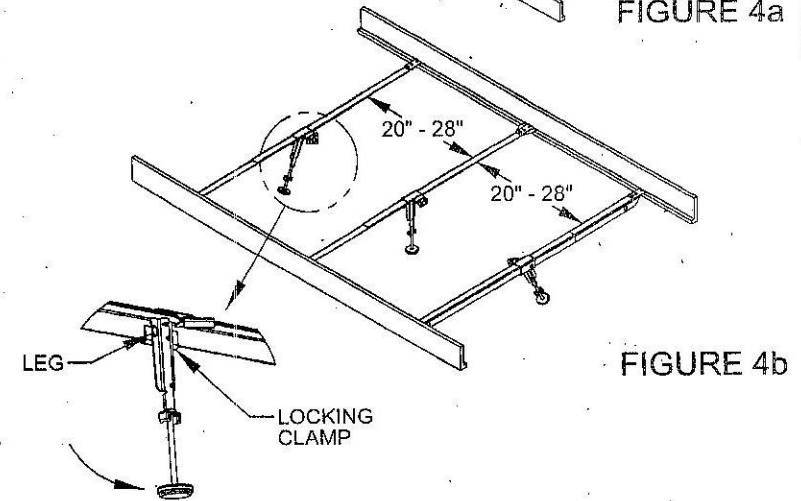
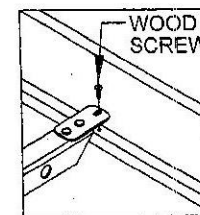
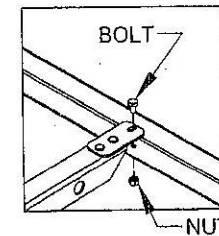


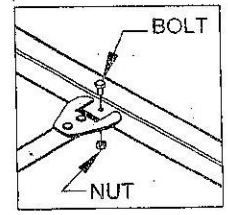
FIGURE 4b



Wood Side Rails



Metal Side Rails



Model ELM with Metal Side Rails

FIGURE 5

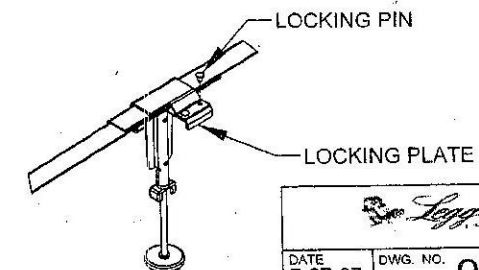


FIGURE 6

DATE 7-27-07	DWG. NO. 99300944
DO NOT SCALE DRAWING SHEET 1 OF 2	